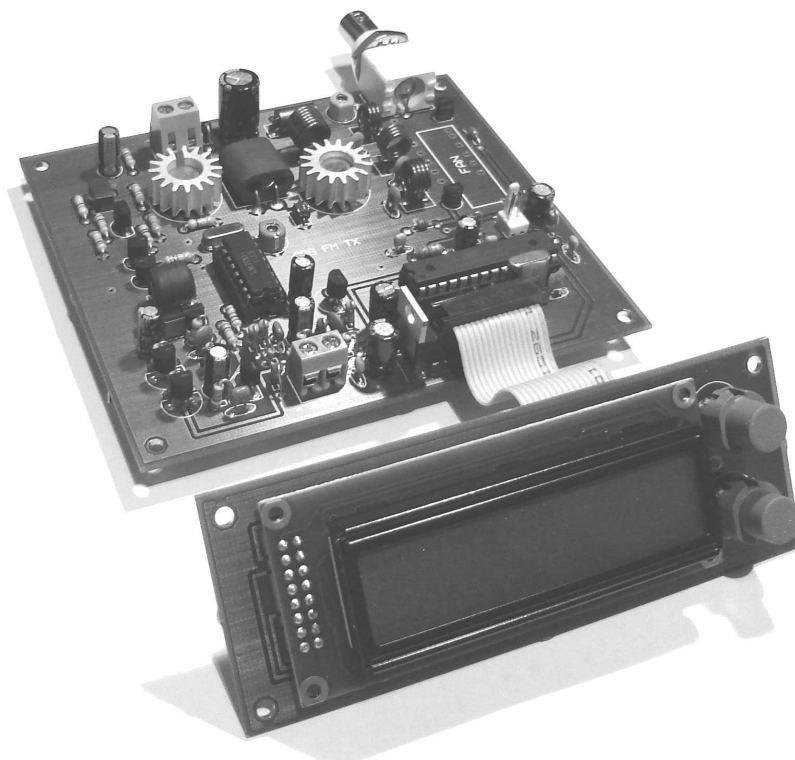


ADSFMTX

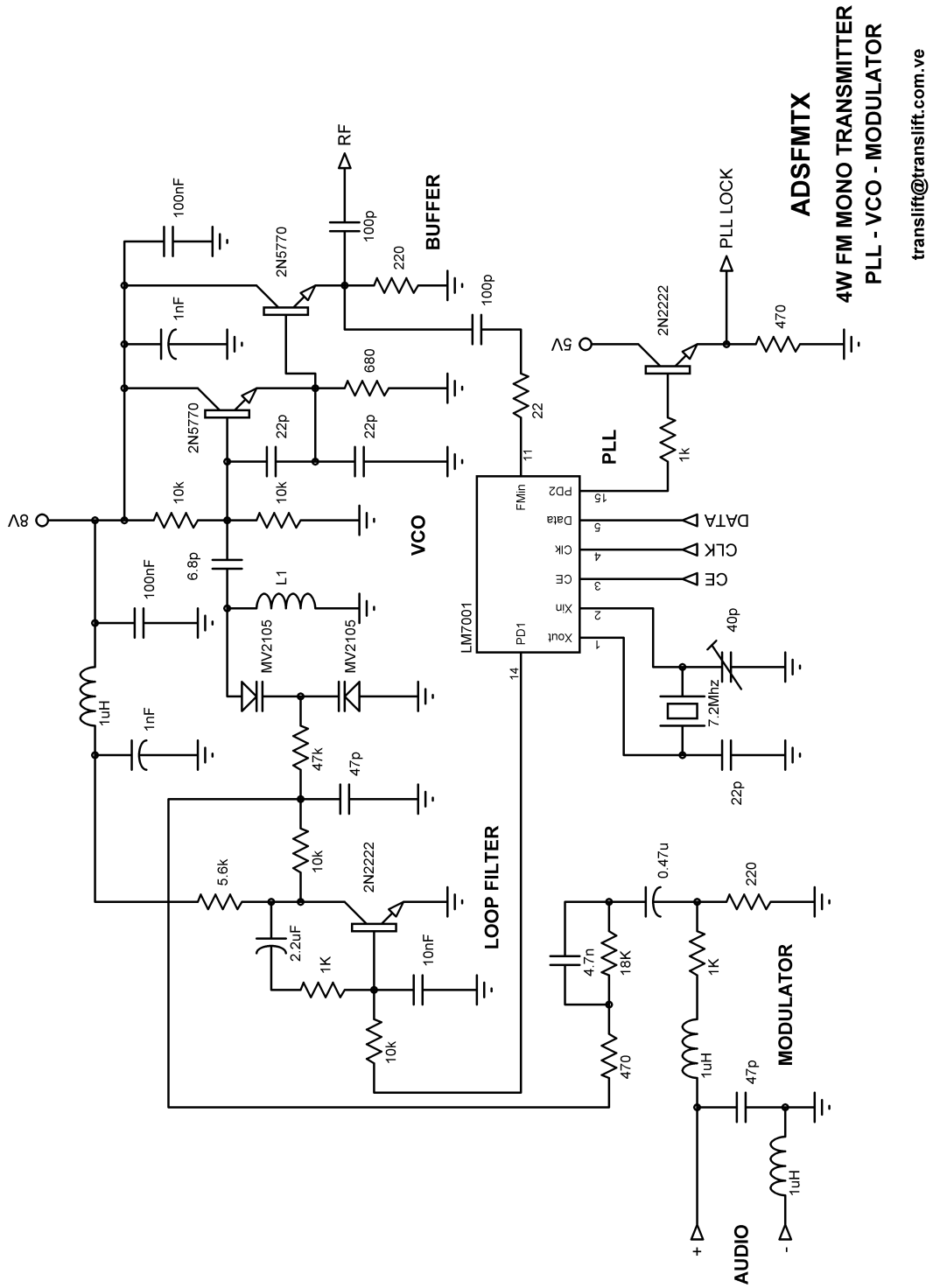
Transmisor FM Mono 4W

Esquematicos

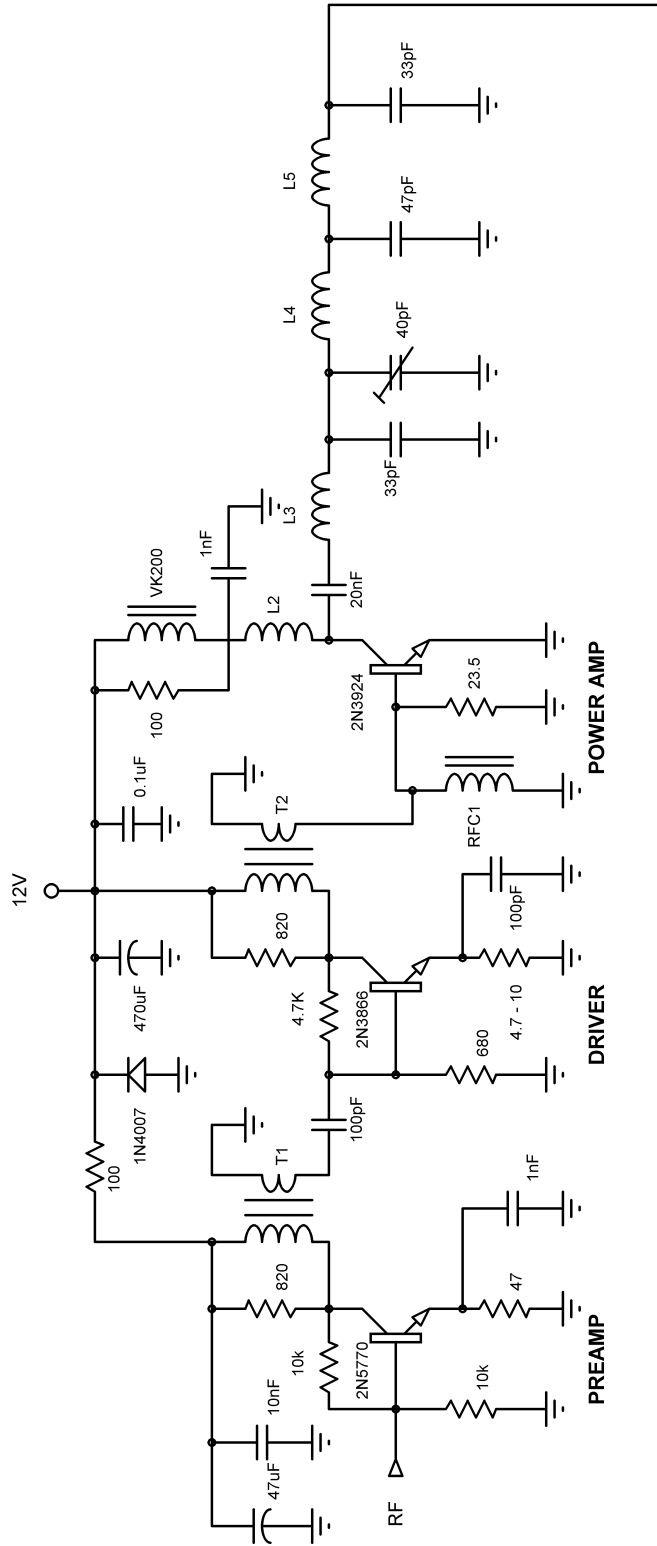


ADSFMTX

WWW.TRANSLIFT.COM.VE
translift@translift.com.ve



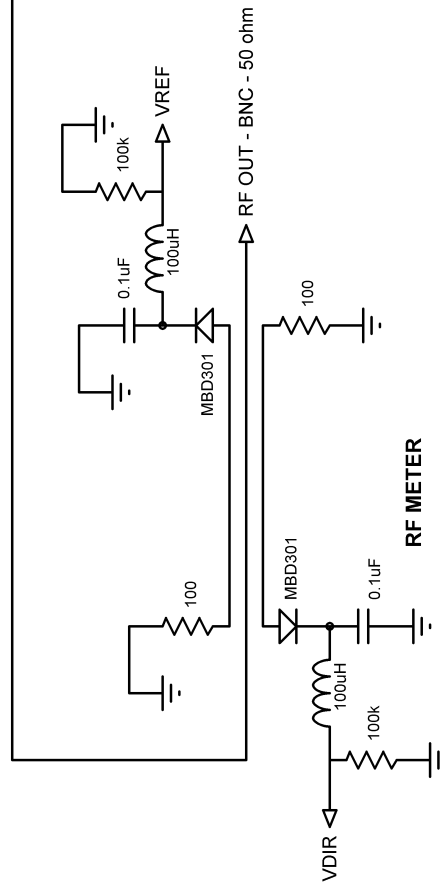
ADSFMTX



ADSFMTX

**4W FM MONO TRANSMITTER
POWER AMPLIFIER SECTION**

translift@translift.com.ve



- **Lista de componentes**

Condensadores

0.1uF	1206 SMD	7
0.01uF	1206 SMD	5
0.001uF	1206 SMD	3
100pF	1206 SMD	3
22pF	1206 SMD	3
6.8pF	1206 SMD	1
0.1uF		7
0.01uF		1
4.7nF		1
47pF		3
33pF		2
10pF		2
0.47uF x 50V		1
2.2uF x 50V		1
10uF x 50V		2
47uF x 25V		3
100uF x 25V		2
470uF x 35V		1

Resistencias

100Ω	1206 SMD	5
220Ω	1206 SMD	1
680Ω	1206 SMD	1
10K	1206 SMD	2
100K	1206 SMD	2
4.7Ω		1
47Ω		2
100Ω		3
150Ω		1
220Ω		1
470Ω		2
680Ω		1
820Ω		3
1K		4
4.7K		1
5.6K		1
10K		5
18K		1

Inductores

T1 RF Transformer	1
T2 RF Transformer	1
L1 Air Core Inductor	1
L2 Air Core Inductor	1
L3 Air Core Inductor	1
L4 Air Core Inductor	1
L5 Air Core Inductor	1
RFC1 Ferrite bead	1
VK200	1
1uH	4
100uH	2

Semiconductores

MV2015	2
2N5770	3
2N3866	1
2N3924	1
MBD301	2
PN2222	3
1N4007	1
7805	1
LM317L	1
LM7001	1
ATMEGA88	1

Otros

Crystal 7.2 MHZ	1
Crystal 7.2378	1
LCD 16X2	1
Trimmer 10K	1